

PROJECT :
OPENING ID :
SPECIFIER :
ISSUE DATE :

SET INCLUDES :
 System M+ (M32+) : Class C
 Rectangular Floor Plate, Adjustable / Finish : stainless steel
 Cable Grommet Top Pivot, ≥91mm Backset, Class G for 15mm spindle
 Ceiling Plate : Class G (15mm spindle) / Finish : stainless steel
 Mounting Kit : epoxy, hex keys, floor template, adjustment card
 All Fasteners



[BUY NOW](#)

SET CODE : ST.M+.CG.C.S.SS

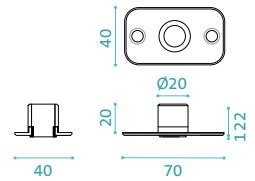
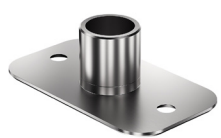
CONTACT : BETTER BUILDING HARDWARE | +1-888-636-1627 | sales@betterbuildinghardware.com

CSI DIVISION : 08

Ceiling Plate : Class G

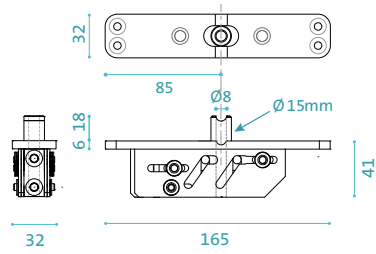
Component ID : CP.X.X.G.S.SS

dimensions in mm



Top Pivot : TP-CG

Component ID : TP.X.CG.G.X.XX



System M+ (M32+) : Class C

FEATURES :

- Dual-acting pivot and closer
- Hold positions at ±90° and 0°
- Closing to 0° from ±90° and ±125°
- Minimum pivot point backset : 3-9/16" (91mm)
- Minimum door thickness : 1-9/16" (40mm)
- Virtually no door width or height limit
- 5 Weight Classes for doors up to 770 lbs.
- Adjustable Damper Control and Backcheck
- Adjustable 30° Speed Control
- Adjustable Latching Speed Control
- Axial/Plumb Adjustment ±5mm side-to-side
- Cable Grommet top spindle for power transfer
- EN 1670 - Class 5 Corrosion Resistance
- Maintenance-free
- Suitable for all door/frame materials

Bottom Pivot : Class C

Component ID : BP.M+.70.C.X.XX

Resources

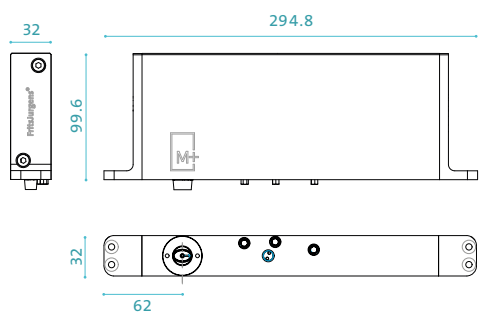
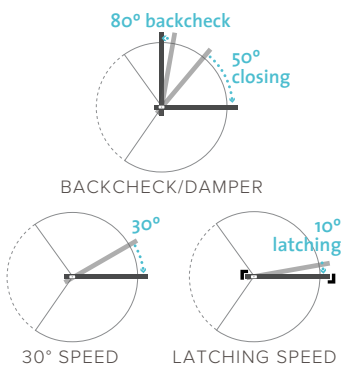
DOWNLOADS



CONFIGURE YOUR PIVOT
[FritsJurgens Selector](#)

System M+

Three Speed Adjustments



Floor Plate : Rectangular

Component ID : FP.M.X.X.S.SS

