

PROJECT :

OPENING ID :

SPECIFIER :

ISSUE DATE :

SET INCLUDES :

System M+ (M32+) : Class C
 Flush Floor Plate, Rounded Corners, Non-adjustable, stainless steel
 Standard Top Pivot, ≥ 70 mm Backset, Class G for 15mm spindle
 Ceiling Plate : Class G (15mm spindle) / Finish : stainless steel
 Mounting Kit : epoxy, hex keys, floor template, adjustment card
 All Fasteners



BUY NOW

SET CODE : ST.M+.70.C.FR.SS

NOTES :

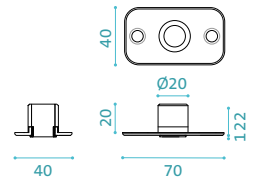
CONTACT : BETTER BUILDING HARDWARE | +1-888-636-1627 | sales@betterbuildinghardware.com

CSI DIVISION : 08

Ceiling Plate : 15 mm spindle

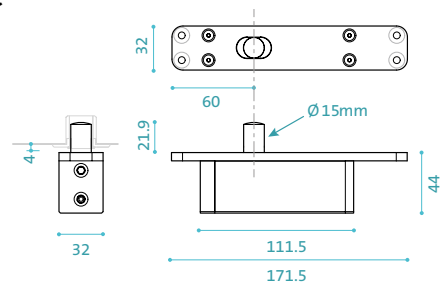
Component ID : CP.X.X.G.S.BK

dimensions in mm



Top Pivot : TP-70, 15 mm spindle

Component ID : TP.X.70.G.X.XX



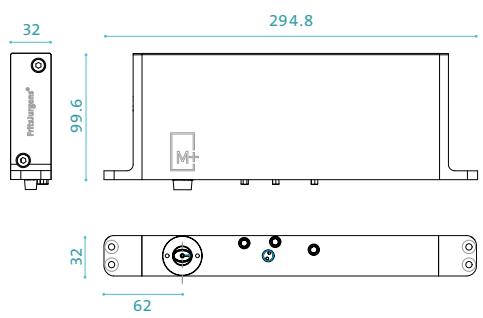
System M+ (M32+) : Class C

FEATURES :

- Dual-acting pivot and closer
- Hold positions at $\pm 90^\circ$ and 0°
- Closing to 0° from $\pm 90^\circ$ and $\pm 125^\circ$
- Minimum pivot point backset : 2-3/4" (70mm)
- Minimum door thickness : 1-9/16" (40mm)
- Virtually no door width or height limit
- 5 Weight Classes for doors up to 770 lbs.
- Adjustable Damper Control and Backcheck
- Adjustable 30° Speed Control
- Adjustable Latching Speed Control
- Axial/Plumb Adjustment ± 5 mm side-to-side
- EN 1670 - Class 5 Corrosion Resistance
- Maintenance-free
- Suitable for all door/frame materials

Bottom Pivot : Class C

Component ID : BP.M+.70.C.X.XX



Resources

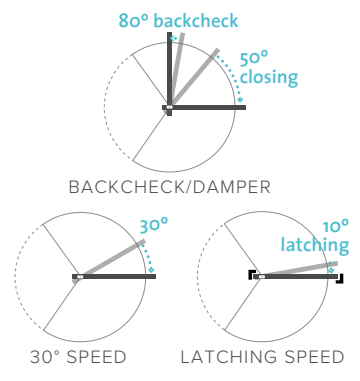
DOWNLOADS



CONFIGURE YOUR PIVOT
 FritsJurgens Selector [▶](#)

System M+

Three Speed Adjustments



Floor Plate : Flush, Rounded Corners

Component ID : FP.M.X.X.FR.SS

