

<b>PROJECT :</b>	<b>SET INCLUDES :</b> System M+ : Class E Rectangular Floor Plate, Adjustable / Finish : stainless steel TP-40 Top Pivot, 40mm Backset, Class G for 15mm spindle Top/Bottom Pivot magnetic cover plates / Finish : black Ceiling Plate : Class G (15mm spindle) / Finish : stainless steel Mounting Kit : epoxy, hex keys, floor template, adjustment card All Fasteners
<b>OPENING ID :</b>	
<b>SPECIFIER :</b>	
<b>ISSUE DATE :</b>	
<b>NOTES :</b>	<a href="#">BUY NOW</a>
<b>CONTACT :</b> BETTER BUILDING HARDWARE   +1-888-636-1627   sales@betterbuildinghardware.com	



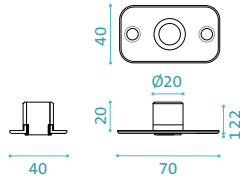
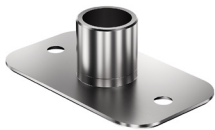
**SET CODE : ST.M+.40.E.S.SS BK**

CSI DIVISION : 08

### Ceiling Plate : 15 mm spindle

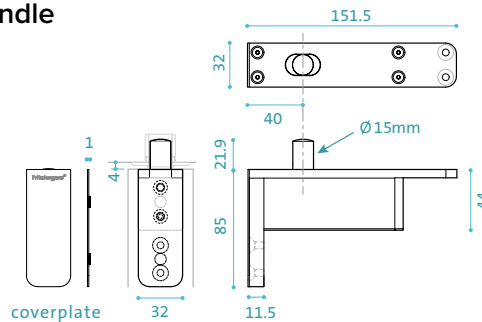
Component ID : CP.X.X.G.S.SS

dimensions in mm



### Top Pivot : TP-40, 15 mm spindle

Component ID : TP.X.40.G.X.BK



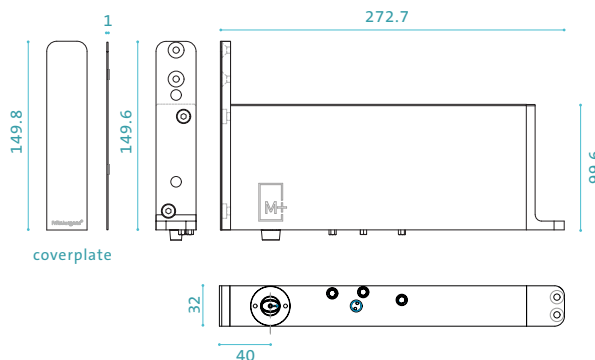
### System M+ (M32+) : Class E

#### FEATURES :

- Dual-acting pivot and closer
- Hold positions at  $\pm 90^\circ$  and  $0^\circ$
- Closing to  $0^\circ$  from  $\pm 90^\circ$  and  $\pm 125^\circ$
- Pivot point backset = 1-9/16" (40mm)
- Minimum door thickness : 1-9/16" (40mm)
- Virtually no door width or height limit
- 5 Weight Classes for doors up to 770 lbs.
- Adjustable Damper Control and Backcheck
- Adjustable  $30^\circ$  Speed Control
- Adjustable Latching Speed Control
- Axial/Plumb Adjustment  $\pm 5$ mm side-to-side
- EN 1670 - Class 5 Corrosion Resistance
- Maintenance-free
- Suitable for all door/frame materials

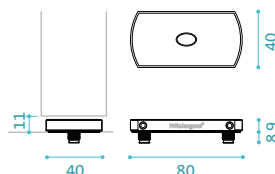
### Bottom Pivot : Class E, 40 mm Backset

Component ID : BP.M+.40.E.X.BK



### Floor Plate : Rectangular

Component ID : FP.M.X.X.S.SS



### Resources

#### DOWNLOADS



CONFIGURE YOUR PIVOT  
FritsJurgens Selector [▶](#)

#### System M+

Three Speed Adjustments

