

| | |
|---------------------|--|
| PROJECT : | SET INCLUDES : System M+ : Class C Flush Floor Plate, Rounded Corners, Non-adjustable, stainless steel TP-40 Top Pivot, 40mm Backset, Class G for 15mm spindle Top/Bottom Pivot magnetic cover plates / Finish : black Ceiling Plate : Class G (15mm spindle) / Finish : stainless steel Mounting Kit : epoxy, hex keys, floor template, adjustment card All Fasteners |
| OPENING ID : | |
| SPECIFIER : | |
| ISSUE DATE : | |

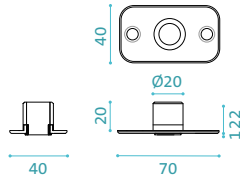
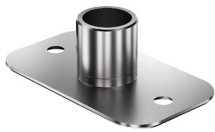


| | | |
|--|-------------------------|---------------------------------------|
| NOTES : | BUY NOW | SET CODE : ST.M+.40.C.FR.SS BK |
| CONTACT : BETTER BUILDING HARDWARE +1-888-636-1627 sales@betterbuildinghardware.com | | CSI DIVISION : 08 |

Ceiling Plate : 15 mm spindle

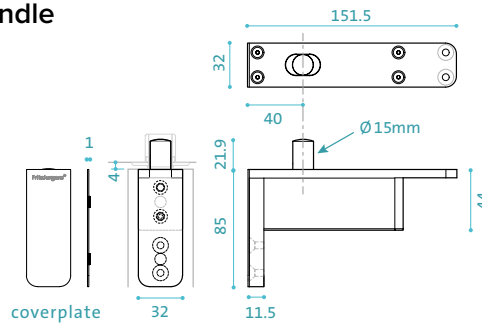
Component ID : CP.X.X.G.S.SS

dimensions in mm



Top Pivot : TP-40, 15 mm spindle

Component ID : TP.X.40.G.X.BK



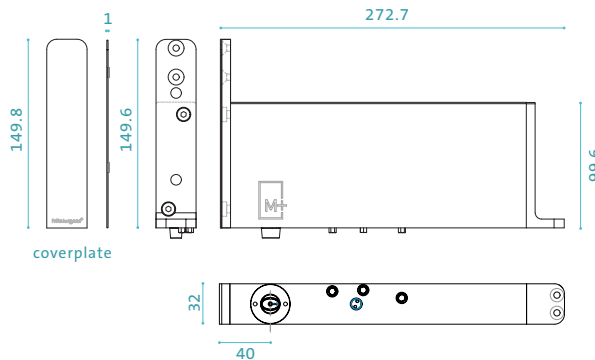
System M+ (M32+) : Class C

FEATURES :

- Dual-acting pivot and closer
- Hold positions at ±90° and 0°
- Closing to 0° from ±90° and ±125°
- Pivot point backset = 1-9/16" (40mm)
- Minimum door thickness : 1-9/16" (40mm)
- Virtually no door width or height limit
- 5 Weight Classes for doors up to 770 lbs.
- Adjustable Damper Control and Backcheck
- Adjustable 30° Speed Control
- Adjustable Latching Speed Control
- Axial/Plumb Adjustment ±5mm side-to-side
- EN 1670 - Class 5 Corrosion Resistance
- Maintenance-free
- Suitable for all door/frame materials

Bottom Pivot : Class C, 40 mm Backset

Component ID : BP.M+.40.C.X.BK



Resources

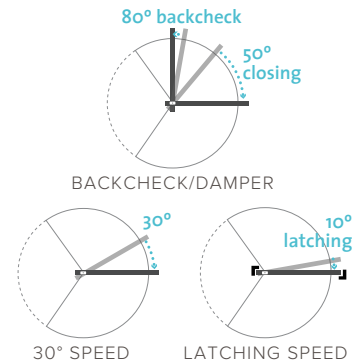
DOWNLOADS



CONFIGURE YOUR PIVOT
FritsJurgens Selector >

System M+

Three Speed Adjustments



Floor Plate : Flush, Rounded Corners

Component ID : FP.M.X.X.FR.SS

