

<b>PROJECT :</b>	<b>SET INCLUDES :</b> System M+ : Class B Round Floor Plate, Adjustable / Finish : black TP-40 Top Pivot, 40mm Backset, Class B for 10mm spindle Top/Bottom Pivot magnetic cover plates / Finish : black Ceiling Plate : Class B (10mm spindle) / Finish : black Mounting Kit : epoxy, hex keys, floor template, adjustment card All Fasteners
<b>OPENING ID :</b>	
<b>SPECIFIER :</b>	
<b>ISSUE DATE :</b>	

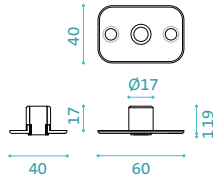
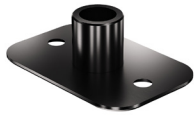


<b>NOTES :</b>	<a href="#">BUY NOW</a>	<b>SET CODE : ST.M+.40.B.R.BK</b>
<b>CONTACT :</b> BETTER BUILDING HARDWARE   +1-888-636-1627   sales@betterbuildinghardware.com		CSI DIVISION : 08

**Ceiling Plate : 10 mm spindle**

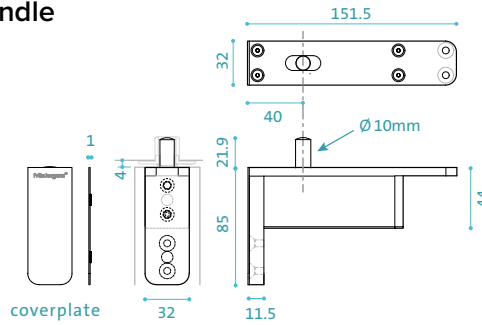
Component ID : CP.X.X.B.S.BK

dimensions in mm



**Top Pivot : TP-40, 10 mm spindle**

Component ID : TP.X.40.B.X.BK



**System M+ (M32+) : Class B**

**FEATURES :**

- Dual-acting pivot and closer
- Hold positions at ±90° and 0°
- Closing to 0° from ±90° and ±125°
- Pivot point backset = 1-9/16" (40mm)
- Minimum door thickness : 1-9/16" (40mm)
- Virtually no door width or height limit
- 5 Weight Classes for doors up to 770 lbs.
- Adjustable Damper Control and Backcheck
- Adjustable 30° Speed Control
- Adjustable Latching Speed Control
- Axial/Plumb Adjustment ±5mm side-to-side
- EN 1670 - Class 5 Corrosion Resistance
- Maintenance-free
- Suitable for all door/frame materials

**Bottom Pivot : Class B, 40 mm Backset**

Component ID : BP.M+.40.B.X.BK

**Resources**

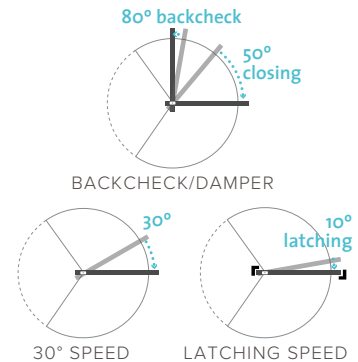
**DOWNLOADS**



CONFIGURE YOUR PIVOT  
FritsJurgens Selector >

**System M+**

Three Speed Adjustments



**Floor Plate : Round**

Component ID : FP.M.X.X.R.BK

