


PROJECT :	SET INCLUDES : System M+ : Class A Flush Floor Plate, Rounded Corners, Non-adjustable, stainless steel TP-40 Top Pivot, 40mm Backset, Class B for 10mm spindle Top/Bottom Pivot magnetic cover plates / Finish : stainless steel Ceiling Plate : Class B (10mm spindle) / Finish : stainless steel Mounting Kit : epoxy, hex keys, floor template, adjustment card All Fasteners	
OPENING ID :		
SPECIFIER :		
ISSUE DATE :		

NOTES :

BUY NOW

SET CODE : ST.M+.40.A.FR.SS

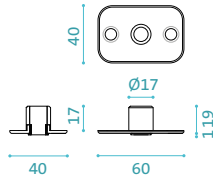
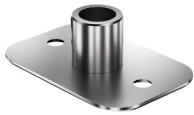
CONTACT : BETTER BUILDING HARDWARE | +1-888-636-1627 | sales@betterbuildinghardware.com

CSI DIVISION : 08

Ceiling Plate : 10 mm spindle

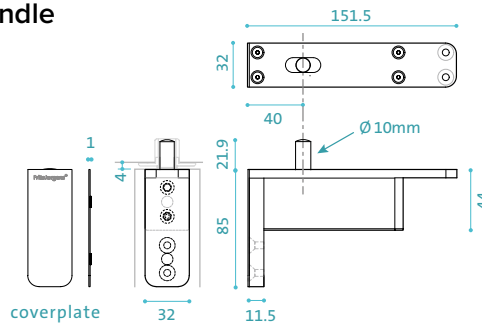
Component ID : CP.X.X.B.S.SS

dimensions in mm



Top Pivot : TP-40, 10 mm spindle

Component ID : TP.X.40.B.X.SS



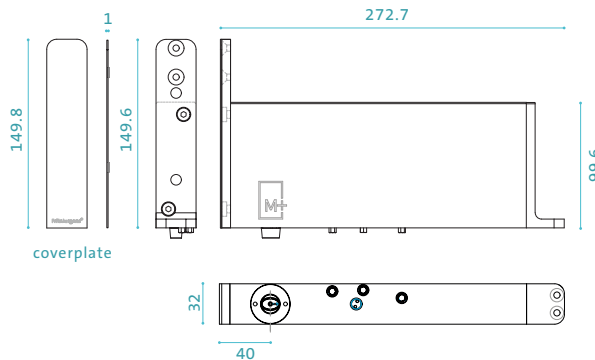
System M+ (M32+) : Class A

FEATURES :

- Dual-acting pivot and closer
- Hold positions at $\pm 90^\circ$ and 0°
- Closing to 0° from $\pm 90^\circ$ and $\pm 125^\circ$
- Pivot point backset = 1-9/16" (40mm)
- Minimum door thickness : 1-9/16" (40mm)
- Virtually no door width or height limit
- 5 Weight Classes for doors up to 770 lbs.
- Adjustable Damper Control and Backcheck
- Adjustable 30° Speed Control
- Adjustable Latching Speed Control
- Axial/Plumb Adjustment ± 5 mm side-to-side
- EN 1670 - Class 5 Corrosion Resistance
- Maintenance-free
- Suitable for all door/frame materials

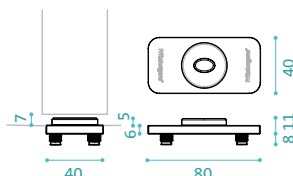
Bottom Pivot : Class A, 40 mm Backset

Component ID : BP.M+.40.A.X.SS



Floor Plate : Flush, Rounded Corners

Component ID : FP.M.X.X.FR.SS



Resources

DOWNLOADS



CONFIGURE YOUR PIVOT
FritsJurgens Selector [▶](#)

System M+

Three Speed Adjustments

